

SHOWN WITH DOOR REMOVED

DIMENSIONS IN [] ARE INCHES.

FINISH:
 NEMA 3R: ANSI 49 GRAY.
 NEMA 3R SS: 316 STAINLESS STEEL

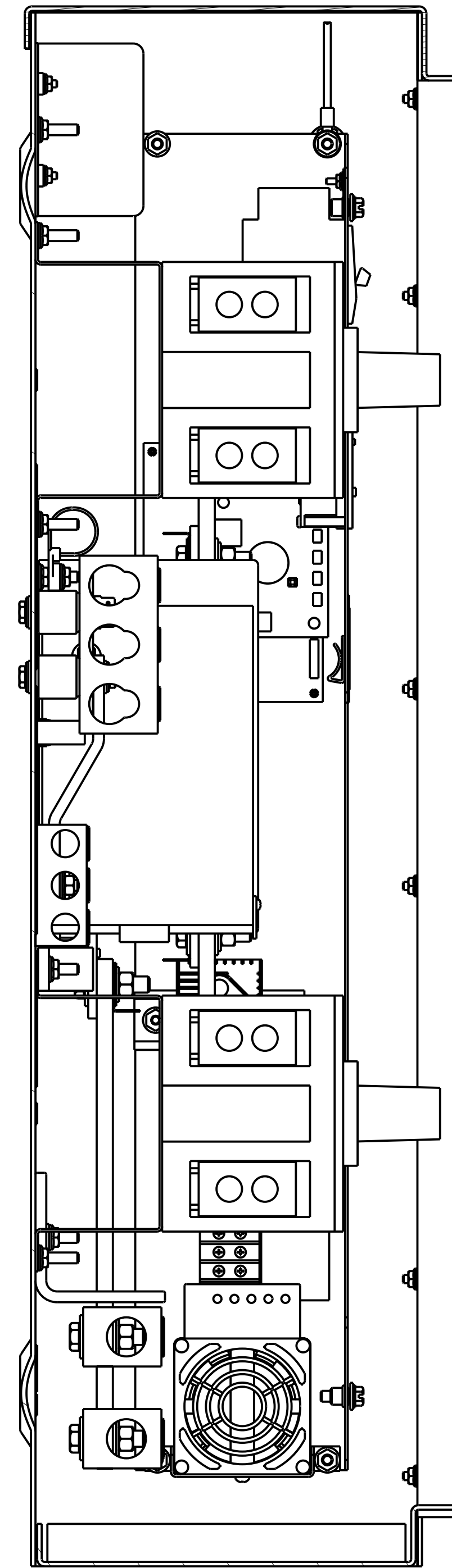
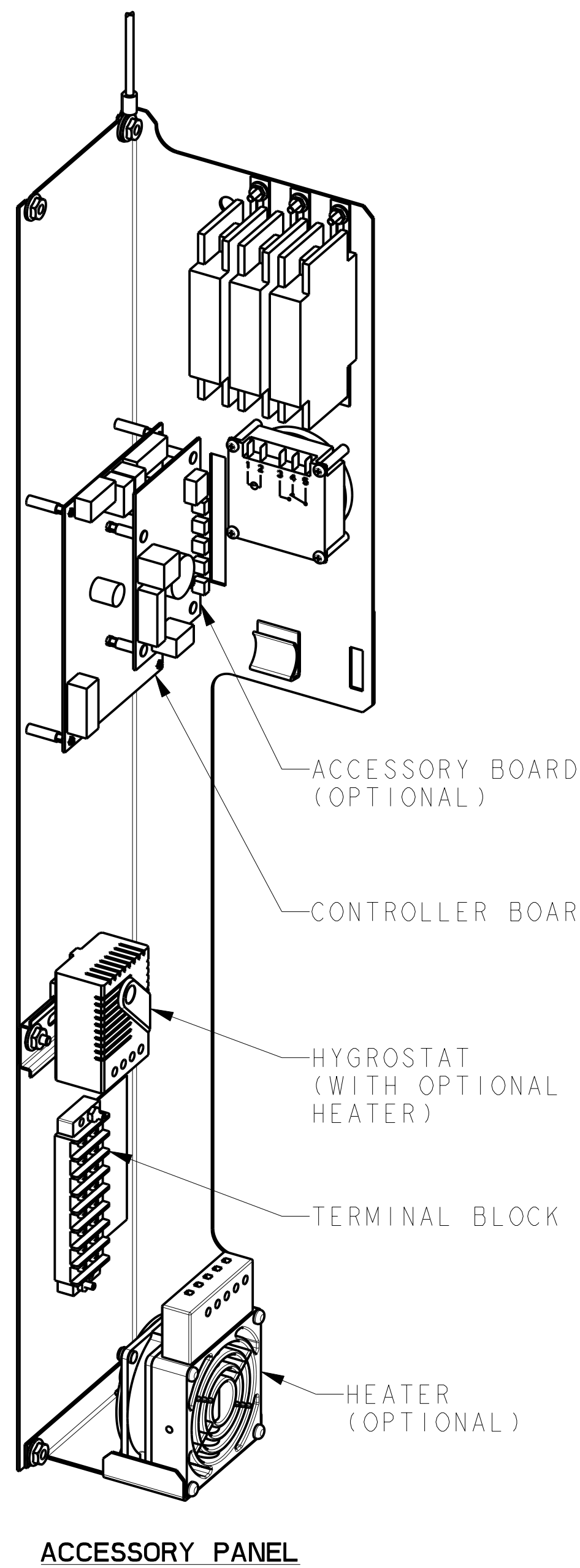
REFER TO OPERATOR'S MANUAL PRIOR TO
 INSTALLATION AND OPERATION OF UNIT.

POWER CABLES AND CONTROL WIRING MUST BE
 RUN IN METAL CONDUIT.

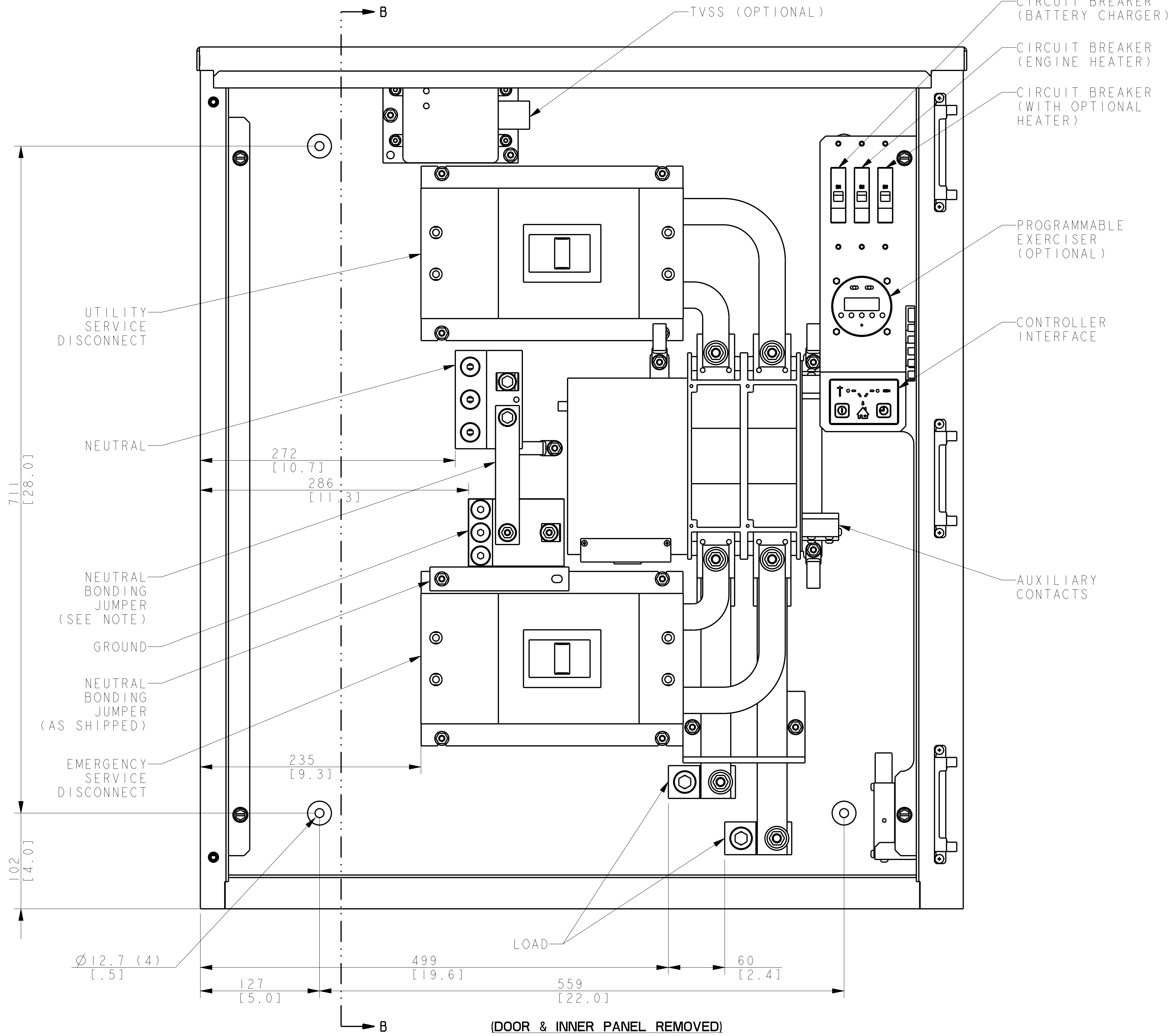
APPROXIMATE WEIGHT: 93.9 KG [207 LBS]

MODEL R
 MPAC 500
 400A 240V
 SERVICE ENTRANCE
 NEMA 3R
 NEMA 3R SS

REV	DATE	ON COMPOSITE DWGS. SEE PART NO. FOR REVISION LEVEL	BY	UNLESS OTHERWISE SPECIFIED - 1) DIMENSIONS ARE IN MILLIMETERS 2) TOLERANCES ARE:	APPROVALS	DATE	TITLE
-	8-5-08	NEW DRAWING [85807]	WSD	X.XX ± 0.25			KOHLER CO. METRIC PRO-E POWER SYSTEMS, KOHLER, WI 53044 U.S.A. THIS DRAWING IN DESIGN AND DETAIL IS KOHLER CO. PROPERTY AND MUST NOT BE USED EXCEPT IN CONNECTION WITH KOHLER CO. WORK. ALL RIGHTS OF DESIGN OR INVENTION ARE RESERVED.
A	4-21-09	SEE SHEET 2 [87562]	WSD	X.X ± 1.0 X ± 1.5 ANGLES ± 0° 30' MAX.			
					THIRD ANGLE PROJECTION		DIMENSION PRINT SCALE 0.30 CAD NO. SHEET 1 of 2 DWG NO. ADV-7591 D
					APPROVED	8-5-08	



SECTION B-B



NOTE:
NEUTRAL TO GROUND BONDING JUMPER IS SHIPPED UNBONDED.
INSTALL FOR SERVICE ENTRANCE APPLICATIONS AS REQUIRED.

SERVICE DISCONNECT BREAKERS ARE 400A, 80% RATED.
CONTINUOUS LOAD CURRENT IS NOT TO EXCEED 80% OF
BREAKER RATING.

SCREW TYPE TERMINALS
FOR EXTERNAL POWER CONNECTION

SWITCH RATING (AMPS)	RANGE OF AL-CU WIRE SIZES		
	POWER CONNECTIONS (PER PHASE)	NEUTRAL	GROUND
400	(2) 1/0 TO 250 KCMIL	(6) 1/0 TO 250 KCMIL	(3) #6 TO 3/0

MODEL R
MPAC 500
400A 240V
SERVICE ENTRANCE
NEMA 3R
NEMA 3R SS

REV	DATE	ON COMPOSITE DWGS. SEE PART NO. FOR REVISION LEVEL	BY
-	8-5-08	NEW DRAWING [85807]	WSD
A	4-21-09	(A-6) GROUND: (3) #6 TO 3/0 WAS (3) #14 TO 1/0 [87562]	WSD

UNLESS OTHERWISE SPECIFIED -
1) DIMENSIONS ARE IN MILLIMETERS
2) TOLERANCES ARE:
X.XX ± 0.25
X.X ± 1.0
X ± 1.5
ANGLES ± 0° 30' MAX.

THIRD ANGLE PROJECTION

APPROVALS	DATE
DRAWN WSD	8-5-08
CHECKED WSD	8-5-08
APPROVED AJH	8-5-08

KOHLER CO. METRIC PRO-E
POWER SYSTEMS, KOHLER, WI 53044 U.S.A.
THIS DRAWING IN DESIGN AND DETAIL IS KOHLER CO.
PROPERTY AND MUST NOT BE USED EXCEPT IN
CONNECTION WITH KOHLER CO. WORK. ALL RIGHTS OF
DESIGN OR INVENTION ARE RESERVED.

TITLE
DIMENSION PRINT

SCALE 0.40 CAD NO. SHEET 2 of 2
DWG NO. **ADV-7591** **D**