

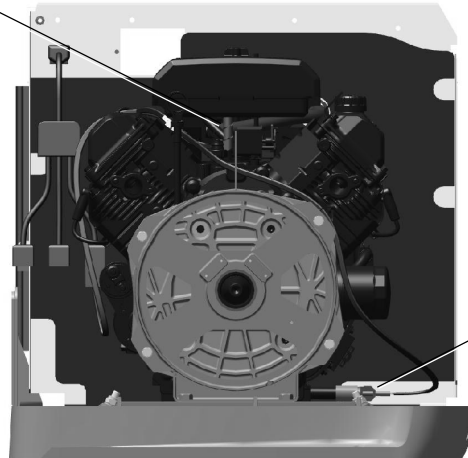
Residential/Light Commercial Generator Accessories

KOHLER Power Systems

Breather Tube
and Oil Heater Kit

ISO 9001
KOHLER
POWER SYSTEMS
NATIONALLY REGISTERED

Breather Tube Heater



Oil Heater

Typical Installation

Applicable Models

- 14RESA
- 14RESAL
- 20RESA
- 20RESB
- 20RESC
- 20RESCL
- 20RESD

Description

The breather tube and oil heater kit is recommended for improved cold starting in locations where the ambient temperature drops below 0°C (32°F).

The breather tube heater wraps around the crankcase breather tube below the air cleaner. The oil heater is inserted into the oil drain port and includes a port for the oil drain valve. The oil heater power cord connects to the breather tube heater.

Breather tube and oil heater kits are available in 120-volt or 240-volt versions. Kits include a 3-way extension cord (120-volt kits) or a harness adapter (240-volt kits) to allow connection of multiple AC accessories.

Note: The heaters require a continuous source of AC power that is backed up by the generator set.

Breather Tube Heater Specifications

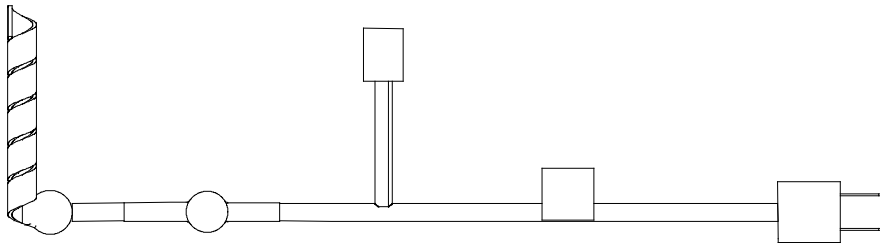
Kit Number	GM102231-KP1-QS GM102231-KP3-QS	GM102231-KP2-QS GM102231-KP4-QS
Voltage	120 VAC	240 VAC
Watts	50 W	50 W
Thermostat ON	4°C (40°F)	
Thermostat OFF	13°C (55°F)	

Oil Heater Specifications

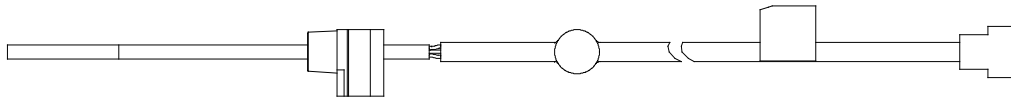
Kit Number	GM102231-KP1-QS GM102231-KP3-QS	GM102231-KP2-QS GM102231-KP4-QS
Voltage	120 VAC	240 VAC
Watts	75 W	75 W
Thermostat ON	4°C (40°F)	
Thermostat OFF	13°C (55°F)	

Generator Models and Kits

Kit Number	Generator Models
GM102231-KP1-QS	14RESA/RESAL - 120 VAC
GM102231-KP2-QS	14RESA/RESAL - 240 VAC
GM102231-KP3-QS	20RESA/AL/B/C/CL/D - 120 VAC
GM102231-KP4-QS	20RESA/AL/B/C/CL/D - 240 VAC



Breather Tube Heater



Oil Heater

Note: 120 volt kits shown.

DISTRIBUTED BY:

Availability is subject to change without notice. Kohler Co. reserves the right to change the design or specifications without notice and without any obligation or liability whatsoever. Contact your local Kohler® generator distributor for availability.

© 2016 by Kohler Co. All rights reserved.