

* - DENOTES 34" SKID WIDTH
DIMENSIONS IN [] ARE ENGLISH STANDARD EQUIVALENTS

MODEL	ALTERNATOR	WEIGHT (WET)	
		KG	LBS
125	4R12X	1329	2930
125	4R13X/4T13X	1365	3009

125 MODEL, 4R12X/4R13X/4T13X RECONNECTABLE. IMPROVED MOTOR STARTING (IMS) RECONNECTABLE & 600V ALTERNATORS 8.8 LITER GM

REV	DATE	ON COMPOSITE DWGS. SEE PART NO. FOR REVISION LEVEL	BY
-	5-10-11	NEW DRAWING [92053]	KRH

UNLESS OTHERWISE SPECIFIED:
1) DIMENSIONS ARE IN MILLIMETERS
2) TOLERANCES ARE:
X.XX ±
X.X ±
X ±
ANGLES ±

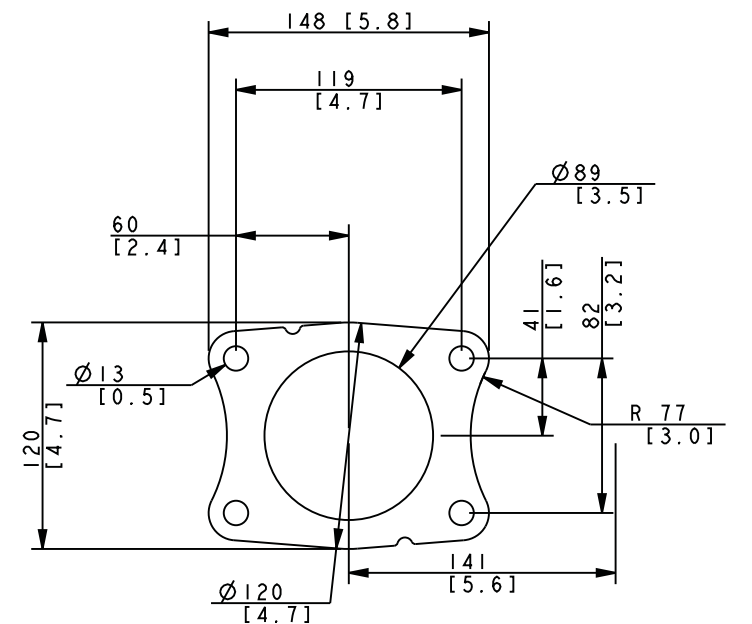
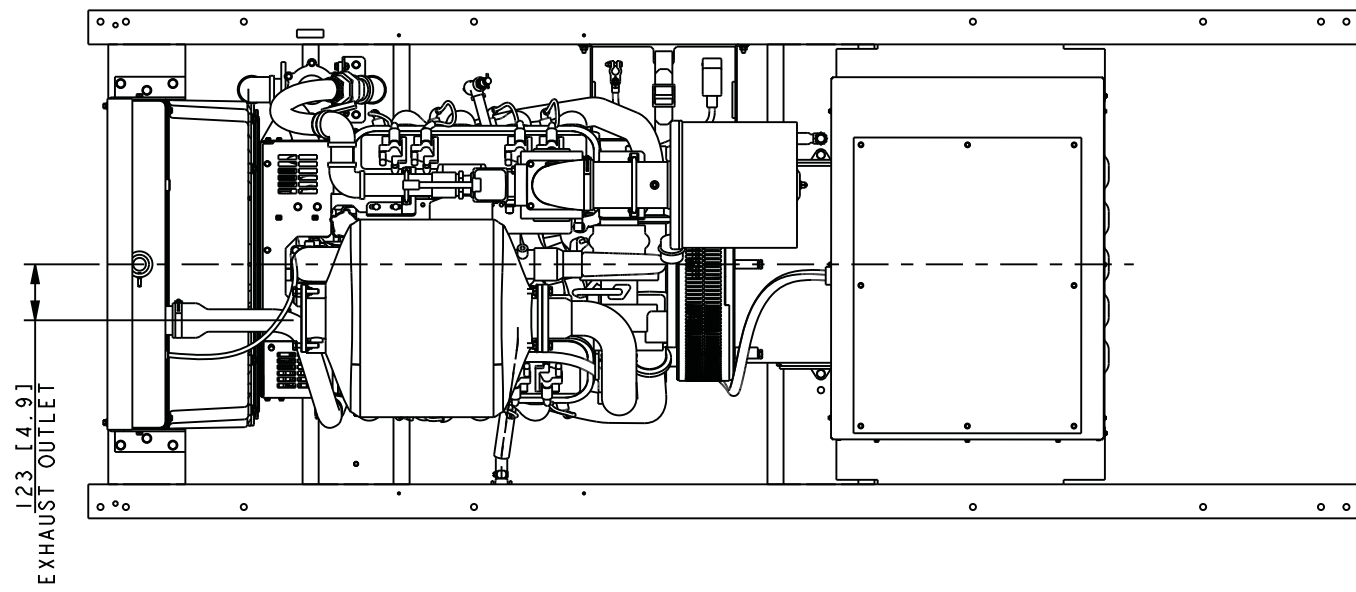
THIRD ANGLE PROJECTION

APPROVALS	DATE
DRW KRH	5-10-11
CHEK KRH	5-10-11
APPROV JAL	5-10-11

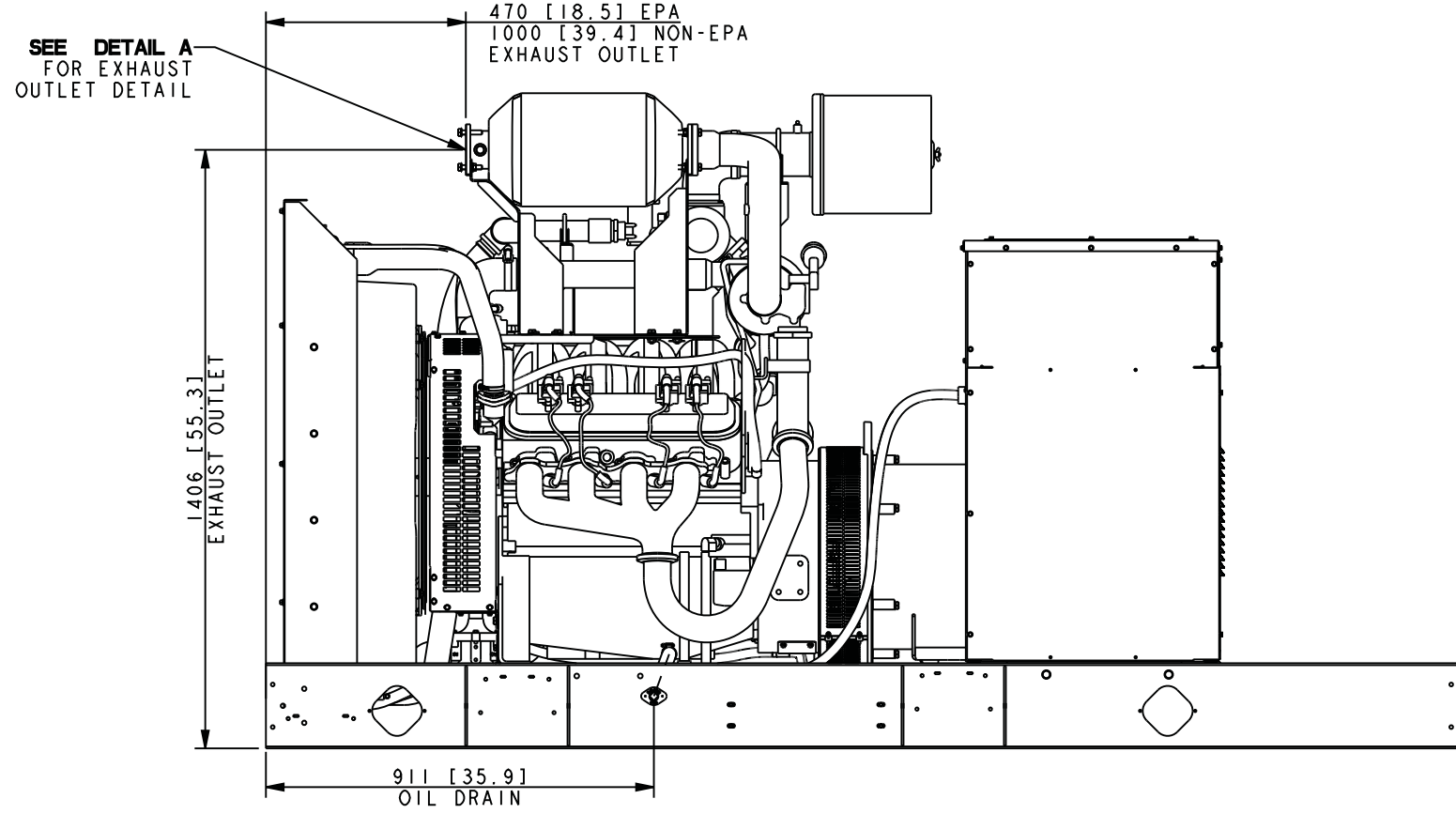
KOHLER CO. METRIC PRO-E
POWER SYSTEMS, KOHLER, WI 53044 U.S.A.
THIS DRAWING IN DESIGN AND DETAIL IS KOHLER CO. PROPERTY AND MUST NOT BE USED EXCEPT IN CONNECTION WITH KOHLER CO. WORK. ALL RIGHTS OF DESIGN OR INVENTION ARE RESERVED.

TITLE
DIMENSION PRINT 125 GM 8.8L

SCALE 0.12 CAD NO. SHEET 1 of 2
DWG NO. **ADV-8204**



EXHAUST OUTLET
DETAIL A
SCALE 0.50



DIMENSIONS IN [] ARE ENGLISH STANDARD EQUIVALENTS

125 MODEL, 4R12X/4R13X/4T13X
RECONNECTABLE,
IMPROVED MOTOR STARTING (IMS) RECONNECTABLE
& 600V ALTERNATORS
8.8 LITER GM

REV	DATE	ON COMPOSITE DWGS. SEE PART NO. FOR REVISION LEVEL	BY	UNLESS OTHERWISE SPECIFIED: 1) DIMENSIONS ARE IN MILLIMETERS 2) TOLERANCES ARE:	APPROVALS	DATE	TITLE
-	8-29-11	NEW DRAWING [92053]	KRH	X.XX ± X.X ± X ± ANGLES ±			KOHLER CO. METRIC PRO-E POWER SYSTEMS, KOHLER, WI 53044 U.S.A. THIS DRAWING IN DESIGN AND DETAIL IS KOHLER CO. PROPERTY AND MUST NOT BE USED EXCEPT IN CONNECTION WITH KOHLER CO. WORK. ALL RIGHTS OF DESIGN OR INVENTION ARE RESERVED.
				SURFACE FINISH MAX.			DIMENSION PRINT 125 GM 8.8L
				THIRD ANGLE PROJECTION			SCALE 0.12 CAD NO. SHEET 2 of 2
							DWG NO. ADV-8204
							D